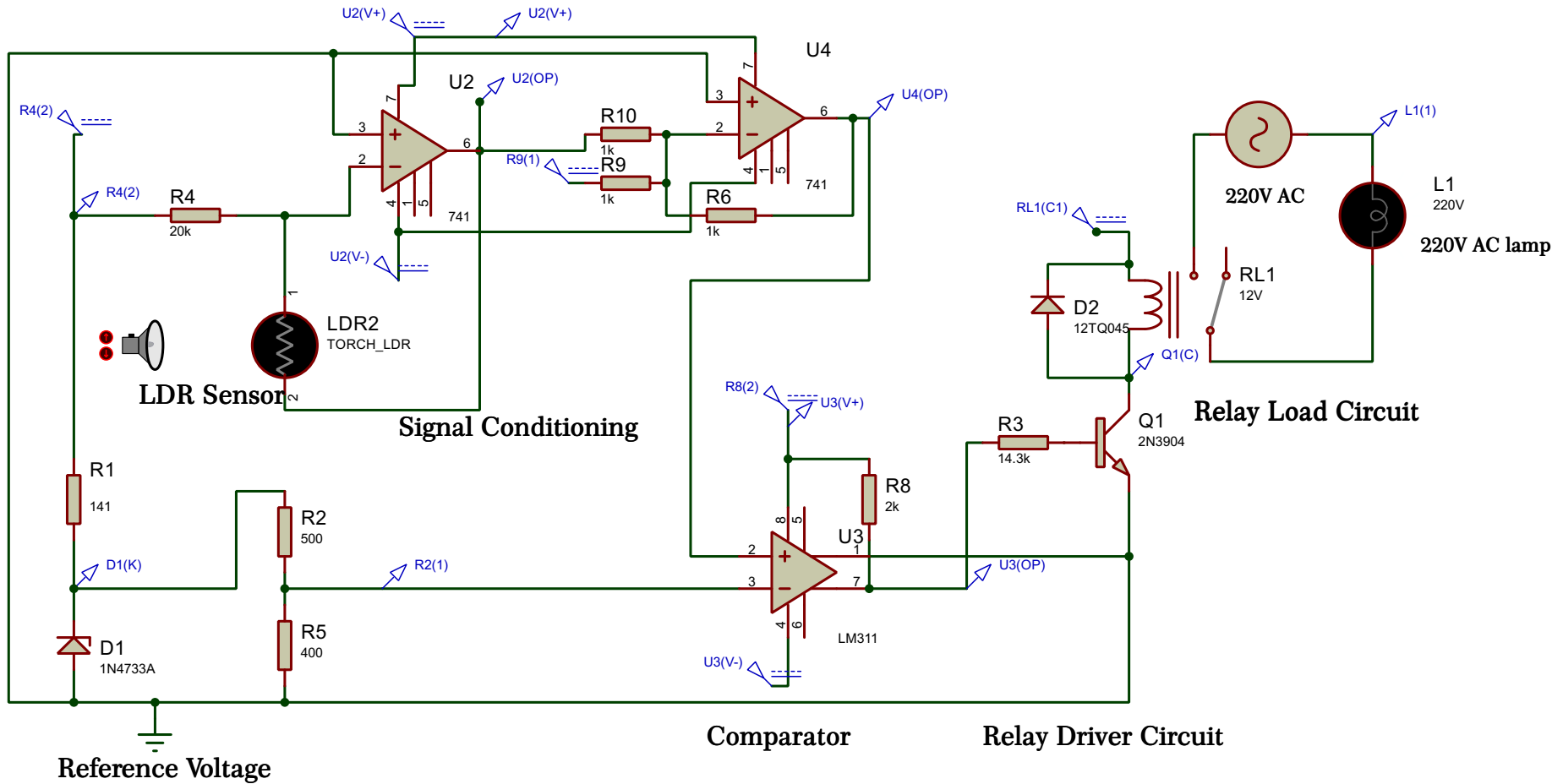


Analog Circuit Design



Automatic Light Control Using LDR Sensor